

- Advanced high frequency switching design and 90% typical efficiency
- Wide range AC input (85 - 265 VAC) for worldwide operation
- Fully sealed enclosure provides improved reliability in demanding environments
- > 0.99 Power Factor minimizes utility surcharges and optimizes use of AC power
- Approved battery charge algorithms for ideal charging (default I₁, I₂, U, I_{3a})

QuiQ HF/PFC Battery Charger Specifications

subject to change without notice

DC Output	QuiQ Model: 912- or 913-					
	24xx	36xx	48xx	72xx	84xx	96xx
DC Output Voltage - nominal	24 V	36 V	48 V	72 V	84 V	96 V
DC Output Voltage - maximum	34 V	51 V	68 V	100 V	120 V	135 V
DC Output Current - maximum	25 A	21 A	18 A	12 A	10 A	9 A
Interlock Current - maximum	1 A	1 A	1 A	0.5 A	0.5 A	0.5 A
Battery Type	Specific to selected algorithm					
Reverse Polarity	Electronic protection - auto-reset					
Short Circuit	Electronic current limit					

AC Input

AC Input Voltage - range	85 - 265 VAC
AC Input Voltage - nominal	120 VAC / 230 VAC rms
AC Input Frequency	45 - 65 Hz
AC Input Current - maximum/nominal	12 A / 9.5 A rms @ 120 VAC or 5 A rms @ 230 VAC
AC Power Factor - nominal	> 0.99 @ 120 VAC / > 0.98 @ 230 VAC

Mechanical

Dimensions	28.0 x 24.6 x 11.0 cm (11 x 9.7 x 4.3")
Weight	< 5 kg (< 11 lbs) w/standard output cord
Environmental	Enclosure: IP46 (NEMA4)
Operating Temperature	-30°C to +50°C (-22°F to 122°F), derated above 30°C (86°F), below 0°C (32°F)
Storage Temperature	-40°C to +70°C (-40°F to 158°F)
AC input connector	IEC320/C14 (require ≥ 1.8m localized cord)
DC output connector	OEM specific w/12AWG wire

Regulatory

Safety	UL2202, UL1564 2nd Edition, CSA-C22.2 No. 107.2, EN 60335-1/2-29
Emissions	FCC Part 15/ICES 003 Class A, EN 55011, EN 61000-3-2, EN 61000-3-3
Immunity	EN 61000-4-2/-3/-4/-5/-6/-11

Operation

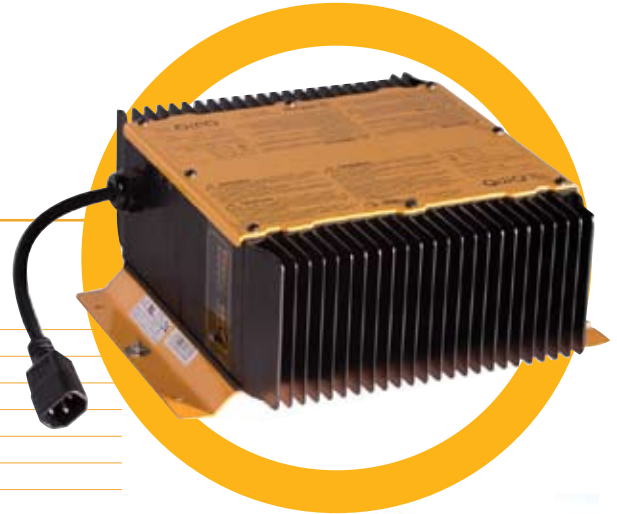
AC ON	Solid YELLOW AC LED
>80% Charge Indicator	Solid YELLOW Charge LED
100% Charge Indicator	Solid GREEN Finish LED
Fault Indicator	Flash RED Fault LED
DC Ammeter	LED Bargraph (6 level)
Long-term Storage Mode	Auto-restart if battery voltage < 2.1 V/cell or 30 days elapse

Special Features

Battery Temperature Monitoring	Temperature Sensor on negative ring terminal
External Communications	PC-based configuration software for field programmability

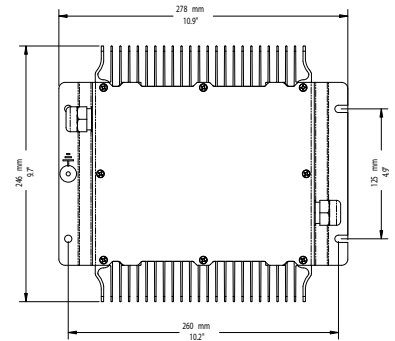
Options

- Custom Remote LEDs
- MODBUS Serial Communications
- Panel Mount DC Connector
- OEM Specific DC Output Cord
- Localized AC Input Cord
- Reverse or Dry Contact Interlocks



Available with optional Panel Mount DC Connector (36V unit shown), OEM Specific DC Output Cord and Localized AC Input Cord.

QuiQ and the Power in Motion slogan are trademarks of Delta-Q Technologies Corp. Copyright © 2006 Delta-Q Technologies Corp.



For more information contact:

Delta-Q Technologies Corp.
Unit 3, 5250 Grimmer Street
Burnaby, BC V5H 2H2
Canada

tel: 604.327.8244
fax: 604.327.8246
email: info@delta-q.com
www.delta-q.com